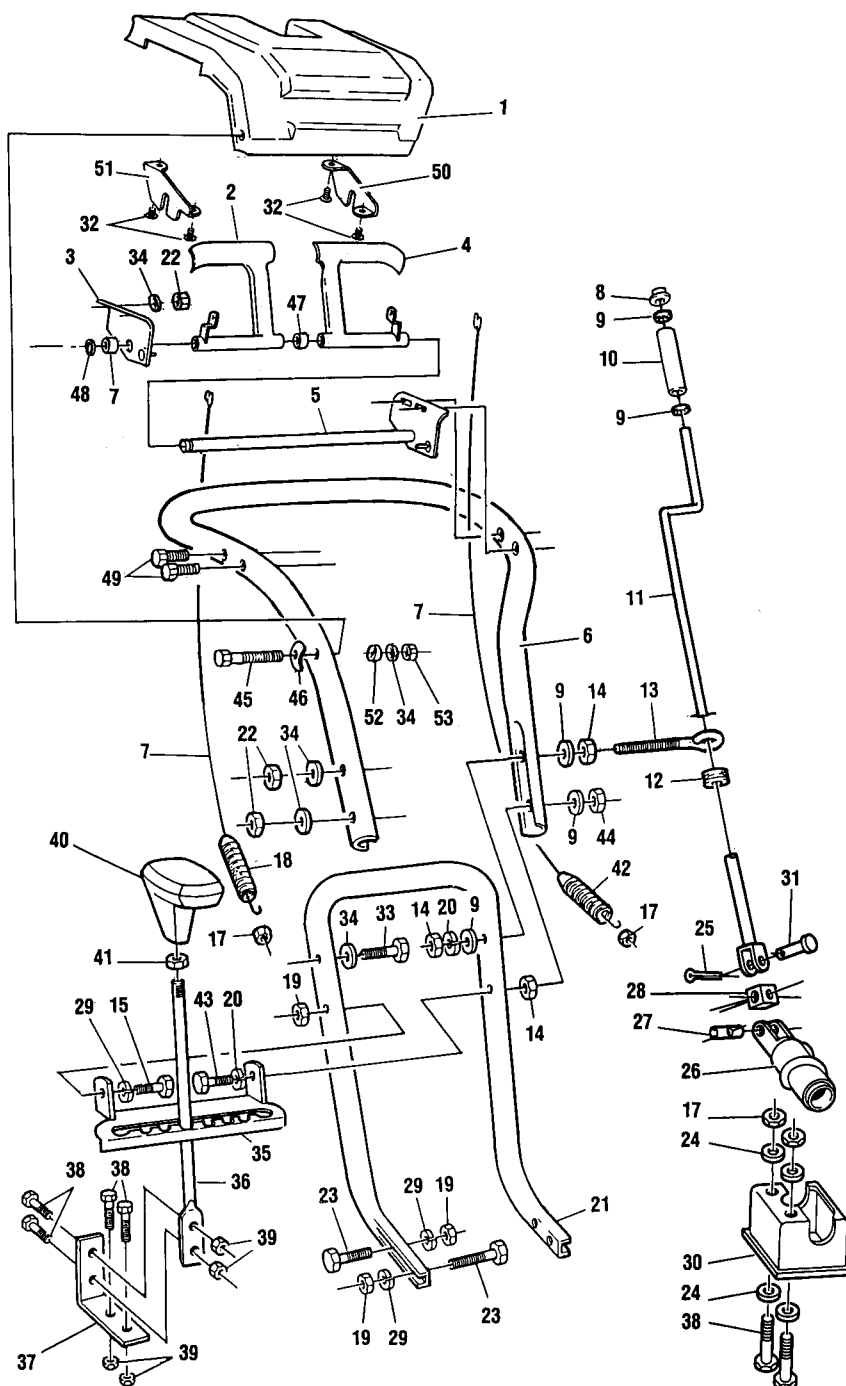


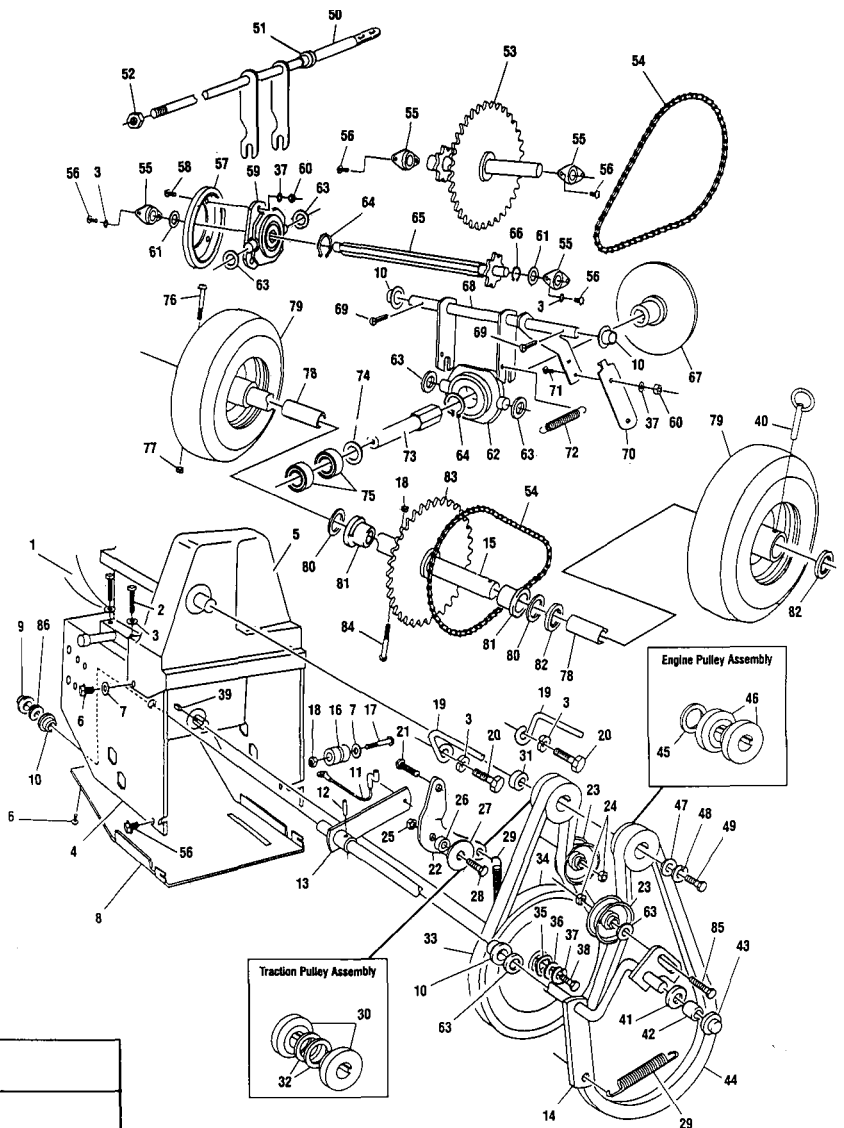


Prod.No: 968 87 05-10  
 Engine: Tecumseh  
 HSSK 50-67317 P

**SPAREPARTS**  
 107 26 52-62

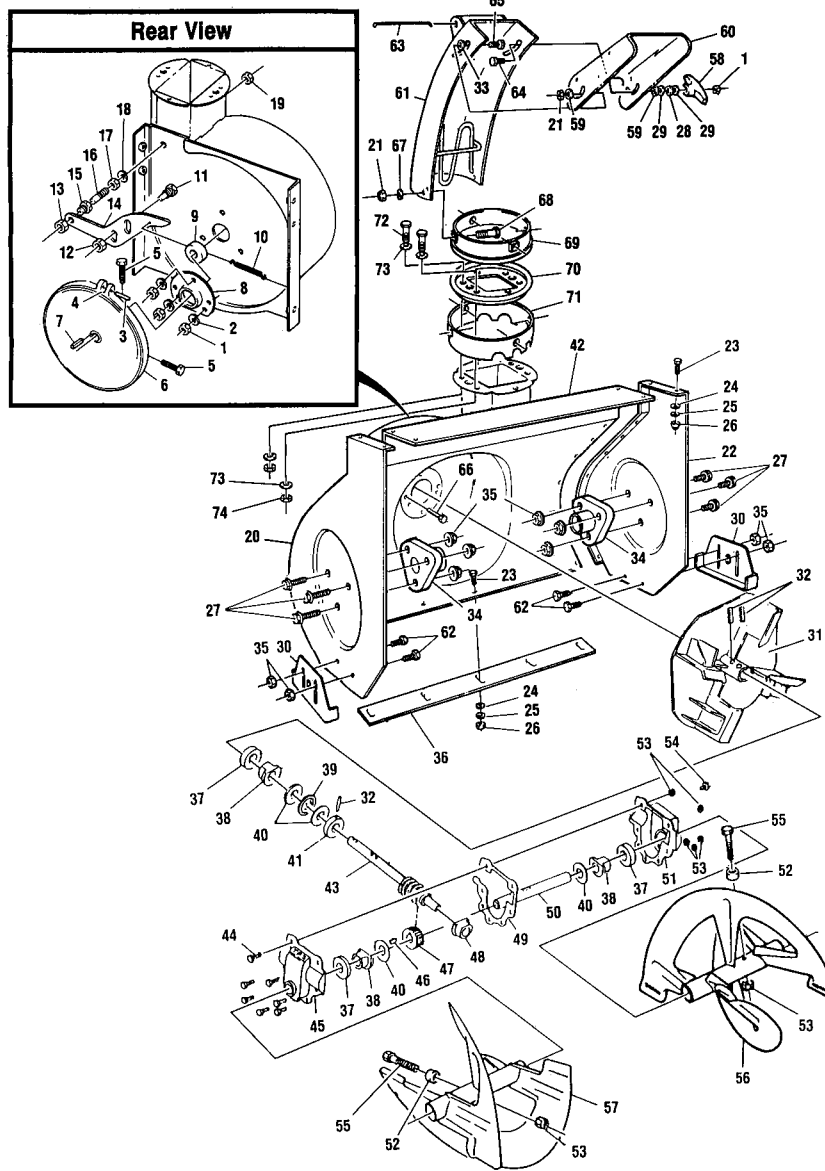
Ref. No.	Part No.	Description
1	533 58 55-25	Control panel
2	533 58 03-70	Clutch handle R.H.
3	515 41 10-38	Bracket weld pin R.H.
4	533 58 03-69	Clutch handle L.H.
5	515 41 10-37	Bracket rod assembly L.H.
6	533 00 95 52	Upper handle
7	515 40 15-79	Clutch cable
8	533 57 81-59	3/8 Cap retainer
9	533 07 10-72	3/8 Flat washer
10	533 30 73-99	Crank handle
11	533 58 54-26	Crank
12	515 40 01-48	Grommet
13	533 58 16-18	3/8 Eye bolt
14	515 47 10-45	3/8-16 Hex jam nut
15	515 40 02-35	5/16-18 x 2-3/4 Bolt
16	533 30 93-12	3/8 Flat washer
17	515 47 10-35	1/4-20 Nylock nut
18	515 40 16-73	Spring, auger clutch
19	515 47 10-37	5/16-18 Hex nut
20	515 47 10-62	3/8 Lock washer
21	533 58 06-67	Lower handle
22	515 47 10-38	5/16-18 Hex nylock nut
23	515 47 09-85	5/16-18 x 3/4 Bolt
24	533 07 10-67	1/4 Flat washer
25	533 57 94-93	1/16 x 1/2 Cotter pin
26	533 58 51-96	Worm, moulded chute rotate
27	533 57 80-60	Universal pin
28	533 57 80-63	Universal housing
29	810 04 05-00	5/16 Lock washer
30	533 58 51-95	Bracket, chute worm
31	533 57 83-09	Clevis pin
32	515 40 70-47	10-16 x 1/2 Pan screw
33	874 78 05-28	5/16-18 x 1-3/4 Bolt
34	734 11 62-71	5/16 Flat washer
35	533 58 06 39	Shifter Bracket
36	533 58 07-70	Shifter rod
37	533 58 08-75	Shifter lever spring
38	515 47 09-74	1/4-20 x 3/4 Bolt
39	533 01 16-73	1/4-20 Flange nut
40	533 30 44-38	Shift knob
41	533 47 10-52	1/2-13 Hex nut
42	533 57 98-69	Spring, drive clutch
43	533 58 04-22	3/8-18 x 2 Bolt
44	515 47 10-46	3/8-16 Hex nylock nut
45	515 40 58-69	5/16-18 x 2 Bolt
46	515 47 10-78	5/16 Saddle washer
47	515 41 16-22	Spacer
48	515 45 16-75	5/8 E-retainer
49	515 47 09-89	5/16-18 x 1-1/2 Bolt
50	515 41 20-06	Bracket panel L.H.
51	515 41 20-07	Bracket panel R.H.
52	515 47 10-61	5/16 External lock washer
53	515 47 13-91	5/16-18 Locknut





Ref. No.	Part No.	Description
2	533 07 09-88	5/16-18 x 1.25 Bolt
3	810 04 05-00	5/16 Lockwasher
4	533 33 41-33	Motor mount w/decal
5	533 58 07-73	Belt cover
6	533 07 09-78	1/4-20 x 1/2 Self tap
7	533 07 10-67	1/4 Flat washer
8	533 58 30-31	Bottom panel
9	533 07 38-17	Push nut
10	533 05 37-03	Plastic bushing
11	533 57 98-56	Cable eye lever
12	533 07 38-01	Roll pin
13	533 57 98-74	Auger clutch cable lever
14	533 58 54-83	Auger clutch assy.
15	533 58 08-83	Axle - Shaft axle
16	533 57 98-60	Spool
17	533 07 13-60	1/4-20 x 1-3/4 Bolt
18	533 07 10-35	1/4-20 Nylock nut
19	533 00 39-49	Belt guide
20	533 07 11-48	5/16-24 x 3/4 Bolt
21	533 07 10-06	3/8-16 x 1-1/4 Bolt
22	533 57 98-72	Idler lever
23	533 05 07-93	Idler pulley
24	533 00 05-90	3/8-16 Jam nut
25	533 07 10-38	5/16-18 Nylock nut
26	533 57 98-65	Bushing Idler lever
27	533 07 37-95	5/16 x 1-1/4 Flat washer
28	874 78 05-12	5/16-18 x 3/4 Bolt
29	533 05 37-04	Idler spring
30	533 57 98-54	Traction pulley
31	533 57 98-55	Crankshaft washer
32	533 57 98-61	Pulley spacer
33	533 57 99-32	Traction belt
34	533 58 09-61	Traction pulley
35	533 58 09-65	Wave washer
36	533 57 89-62	1/4 x 1 Flat washer
37	533 07 10-59	1/4 Split lockwasher
38	874 78 04-10	1/4-20 x 5/8 Bolt
39	533 58 09-70	3/16 Square key
40	533 07 38-42	Click pin
41	533 07 10-74	1/2 Washer
42	533 58 54-74	Brake arm clutch bushing
43	533 07 38-17	Push nut
44	533 58 62-49	Auger belt
45	533 58 62-51	Spacer
46	533 58 62-53	Engine Pulley

Ref. No.	Part No.	Description
47	533 05 06-77	3/8 x 1-1/4 Flat washer
48	533 07 10-63	3/8 Split lockwasher
49	533 07 10-15	3/8-24 x 1 bolt
50	533 58 17-95	Speed select lever
51	533 57 99-44	Plastic bushing
52	533 07 11-11	3/8-16 Center locknut
53	533 57 98-93	Jack shaft
54	533 57 98-67	Chain 420 x 40P
55	533 33 41-63	Bearing
56	533 07 09-82	5/16-18 x 1/2 Self tapping
57	533 05 38-30	Friction wheel
58	533 01 18-71	1/4-20 x 5/8 Bolt GR5
59	533 33 70-29	Bearing, trunnion clutch release
60	533 07 10-34	1/4-20 Hex nut
61	533 57 98-58	Washer
62	533 08 55-01	Trunnion bearing assy.
63	533 07 38-12	Trunnion washer
64	533 07 38-11	1-1/4 Retainer ring
65	533 57 98-97	Hex shaft
66	533 43 56-48	Retainer ring
67	533 58 34-70	Friction disc
68	533 57 99-41	Traction shaft
69	533 07 10-79	1/8 x 1 Cotter pin
70	533 57 99-37	Traction spring lever
71	533 01 18-71	1/4-20 x 5/8 Bolt
72	533 05 38-18	Clutch spring return
73	533 58 31-55	Traction hex shaft
74	533 58 09-69	Washer
75	533 58 07-81	Ball bearing
76	533 57 70-15	Shear bolt
77	533 07 38-26	1/4-20 Locknut
78	533 58 55-91	Wheel bushing
79	533 31 85-04	4:10 x 3.50-6 Wheel
80	533 00 61-04	3/4 x 1-1/8 Washer
81	533 58 17-30	Axle bearing
82	533 00 02-39	Retainer ring
83	533 58 30-12	Sprocket
84	533 57 70-15	1/4-20 x 2-1/4 Bolt
85	533 58 57-81	3/8-16 x 1/4 Carriage bolt
86	533 03 60-36	Spring washer



Ref. No.	Part No.	Description
1	873 68 05-00	5/16-18 Hex nut
2	810 04 05-00	5/16 Lock washer
3	533 07 38-01	5/32 x 7/8 Roll pin
4	533 58 15-40	Brake pad
5	515 57 74-00	5/16-18 x 1/2 Screw
6	533 58 31-24	Pulley, auger
7	533 07 13-71	3/16" Key
8	533 58 29-60	Retainer, bearing
9	533 58 07-81	Bearing
10	533 00 70-30	Return spring
11	533 58 54-46	Brake arm adj bolt
12	533 58 56-09	1/2-20 Jam nut
13	533 58 56-08	9/16-18 Jam nut
14	533 58 54-60	Brake arm
15	533 58 54-70	Brake arm pivot bolt
16	533 58 62-24	Brake arm stud
17	873 22 06-00	3/8-16 Hex nut
18	810 04 06-00	3/8 Split lock washer
19	515 47 10-45	3/8-16 Jam nut
20	533 00 93-70	Side plate R.H.
21	533 07 10-38	5/16-18 Nylock nut
22	533 00 93-69	Side plate L.H.
23	533 00 38-09	1/4-20 x 5/8 Carriage bolt
24	533 07 10-67	1/4 Flat washer
25	533 07 10-59	Lock washer
26	533 07 10-34	Nut
27	515 40 93-57	5/16-18 x 3/4 Bolt
28	810 04 05-00	5/16 Lock washer
29	734 11 62-71	5/16 Flat washer
30	533 01 05-23	Height adjust skid
31	533 58 55-98	Impeller assembly
32	515 41 08-77	Roll pin
33	533 01 20-21	Plastic washer
34	515 40 95-17	Bearing
35	515 40 86-19	Wide flange locknut
36	533 58 13-97	24" Scraper bar
37	515 40 95-66	Oil seal

Ref. No.	Part No.	Description
38	515 40 93-63	Bushing
39	515 45 06-84	Bearing needle
40	515 40 93-46	Thrust washer
41	533 58 02-95	Thrust collar
42	533 58 55-48	24" Auger housing
43	533 58 31-25	Input shaft
44	515 47 09-74	1/4-20 x 3/4 Bolt
45	515 41 05-77	R.H. Gear case
46	515 40 00-43	Woodruff key
47	515 40 93-55	Worm gear
48	515 40 93-62	Bushing
49	515 40 93-53	Gasket
50	533 58 13-89	24" Output shaft
51	515 41 05-76	L.H. Gear case
52	533 00 39-43	Spacer
53	533 07 38-26	1/4-20 Locknut
54	515 40 93-44	3/8-16 x 1/2 Taptite screw
55	533 00 95-24	1/4-20 x 1-3/4 Bolt
56	533 58 16-45	24" Auger L.H.
57	533 58 17-88	24" Auger R.H.
58	533 00 98-84	Wing knob
59	533 00 67-11	Plastic washer
60	533 01 17-80	Chute deflector
61	533 01 19-17	Chute extension
62	533 00 81-56	5/16-18 x 1/2 Carriage bolt
63	533 01 18-43	Chute hinge
64	533 00 33-16	5/16-18 x 1 Carriage bolt
65	872 14 06-06	5/16-18 x 3/4 Carriage bolt
66	515 47 09-83	5/16-18 x 5/8 Bolt
67	734 11 62-71	5/16 Flat washer
68	533 58 62-80	5/16-18 x 1 Carriage bolt
69	533 58 51-94	Chute rotate ring, inner
70	533 58 52-14	Chute collar rotate
71	533 58 51-93	Chute rotate ring, outer
72	533 57 90-52	1/4-20 x 5/8 Bolt
73	533 07 10-67	1/4 Flat washer
74	533 07 10-35	1/4-20 Locknut